



Address: Park Lane, Harefield, Middlesex, UB9 6BJ

Tel: 01895 824447

Email: office@harefieldjunior.com

Web: www.harefieldjunior.com

Executive Head Teacher: Mr A.Sunner

Head of School: Mr J.Downs

Friday 10th February 2023

Dear Year 6 parents/carers,

Year 6 Curriculum Letter – Spring (2nd half)

Message from the teachers

Well done Year 6 – we have begun the spring term brilliantly and continued to demonstrate excellent behaviour and a positive attitude to learning. Keep it up! This curriculum letter will outline the lesson topics for the next half term, and all that we have to enjoy before the Easter break.

Our Core Values

Happiness: we spread joy to those around us.

Compassion: we care and are kind to all.

Respect: we treat others as we like to be treated.

Teamwork: we work well with everyone.

Year 6 Staffing

Aspen class teacher: Mr Coren

Beech class teacher: Mrs Lindsay

Year 6 learning support assistants: Mrs Skull and Mrs Thomas

Year 6 Higher Learning Teaching Assistant: Mrs Marks

Communication

Please feel free to arrange a meeting should you wish to speak to one of the teachers in person. Alternatively, you can email class teachers directly on the class email accounts and we will do our best to get back to you within a couple of working days.

aspenclass@harefieldjunior.com

beechclass@harefieldjunior.com

Homework

For homework each week, pupils are expected to work through their 'daily' questions for Mathematics and English to earn enough stars to get them into the green zone. Each child has their own login and password in order to complete their tailored questions. Spellings homework will be set as an 'assignment' following the school's spelling scheme. These need to be completed by the following Friday. If your child requires their login information, please contact your class teacher.

Additionally, children will be set some work on Spag.com to practise their spelling, grammar and punctuation skills in preparation for the SATS. Children will be given login details.

We will be sending new books home every Monday. Please remember to send these books back in to school each Monday. A new book will not be issued until the previous one has been returned.

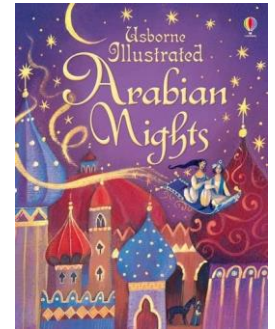
HAPPINESS · COMPASSION · RESPECT · TEAMWORK

Spring Term Learning

Next half term we will be learning the following in each subject area.

English

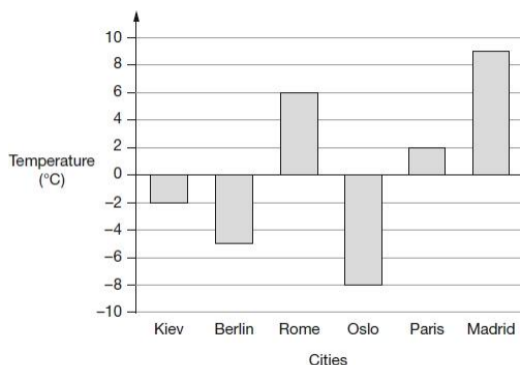
Year 6 will be using a collection of short stories from Arabian Nights as a focus text next half term. We will use this to support children in writing a 'Rags-to-Riches' tale, where a main character faces incredible challenges within a story that changes their situation, e.g. poor to wealthy, unhappy to happy. Following this, we will be writing a recount linked to 'Arabian Nights', where children will retell one of the short stories in the form of a newspaper article.



Mathematics

In maths next half term, Year 6 will build on their knowledge of decimals by identifying the link between fractions, decimals and percentages. Following this, they will explore area, perimeter and volume. Pupils will end the half term learning how to interpret bar charts, line graphs and pie charts, before finding the mean of a number.

This graph shows the temperature in six cities on one day in January.



Which city was 4 degrees warmer than Kiev?

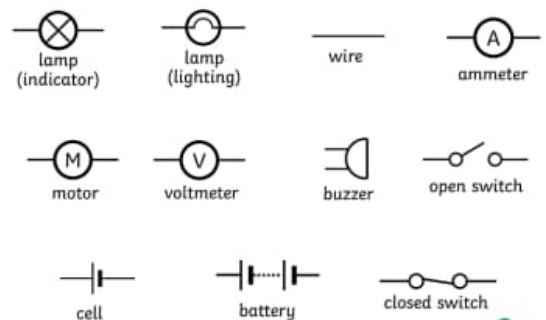
What is the difference in temperature between Oslo and Berlin?

What was the mean temperature of the cities?

Science

The Year 6 Science unit next term is entitled 'Danger! Low Voltage'. The focus of this unit is exploring how to create simple electrical circuits, building on scientific knowledge acquired in previous years. Children will get to investigate the impact of battery cells and a variety of switches using their scientific enquiry skills.

Electrical Circuit Symbols



Geography

Next half term, Year 6 will be exploring The Amazon in Geography. This unit requires the children to research facts, such as the location of the Amazon River, outline what life may have been like in the Amazonian city of Manaus and to investigate the impact that deforestation has on the rest of the world. We will also be visiting The Living Rainforest on Thursday 9th March 2023, where children will learn about how the wildlife has adapted to living within the four layers of the rainforest.

Design & Technology

In Design & Technology next half term, Year 6 will be exploring and developing their textiles skills in designing mobile phone covers. Children will use templates to plan their design before selecting their fabric, pinning, decorating and stitching their design together to create the mobile phone cover.



Physical Education

In P.E. next half term, the children will be taking part in 'Gymnastics', where they will learn how to use gymnastics shapes and balances to communicate their learning about the Amazon Rainforest. They will learn and perform individual point balances and partner balances, and will use these to create group formations to represent the Amazon River and the wildlife that inhabit to rainforest. Both Year 6 classes will have their PE session on a Friday. Please ensure children come in to school wearing weather appropriate clothing in line with the school uniform. On Wednesday afternoons this half term, Beech class will be going swimming.

Forest School

Forest School will be taking place each Wednesday afternoon for Aspen Class next half term. The children will be given opportunities to learn in nature, building a range of skills and making observations of the changing seasons.

French

Next term, Year 6 will continue to learn about the French unit 'Let's Go Shopping'. The children will learn about the shopping experience in France along with key phrases that may be required when going shopping.

Religious Education

Year 6 will be learning about key aspects of the Easter story and will focus on the question 'was Jesus' death part of God's plan?' Children will explore the concepts of 'free will' and 'determinism' before reflecting on these concepts in their own life.

Music

We are very fortunate to have a specialist music teacher in school every Wednesday to teach Year 6 music lessons, focusing on learning to play the ukulele.



Personal, Social, Health and Economic Education

'Healthy Me' is the next PSHE unit, where Year 6 will discuss how to identify and apply skills to keep themselves emotionally healthy and strategies to manage stress and pressure. Furthermore, children will explore when substances, including alcohol are being used anti-socially or being misused, and the impact that it can have on an individual and others.

Please feel free to contact us via the class email accounts should you have any questions over the term ahead.

Yours faithfully,

Mr Coren and Mrs Lindsay
Year 6 teachers